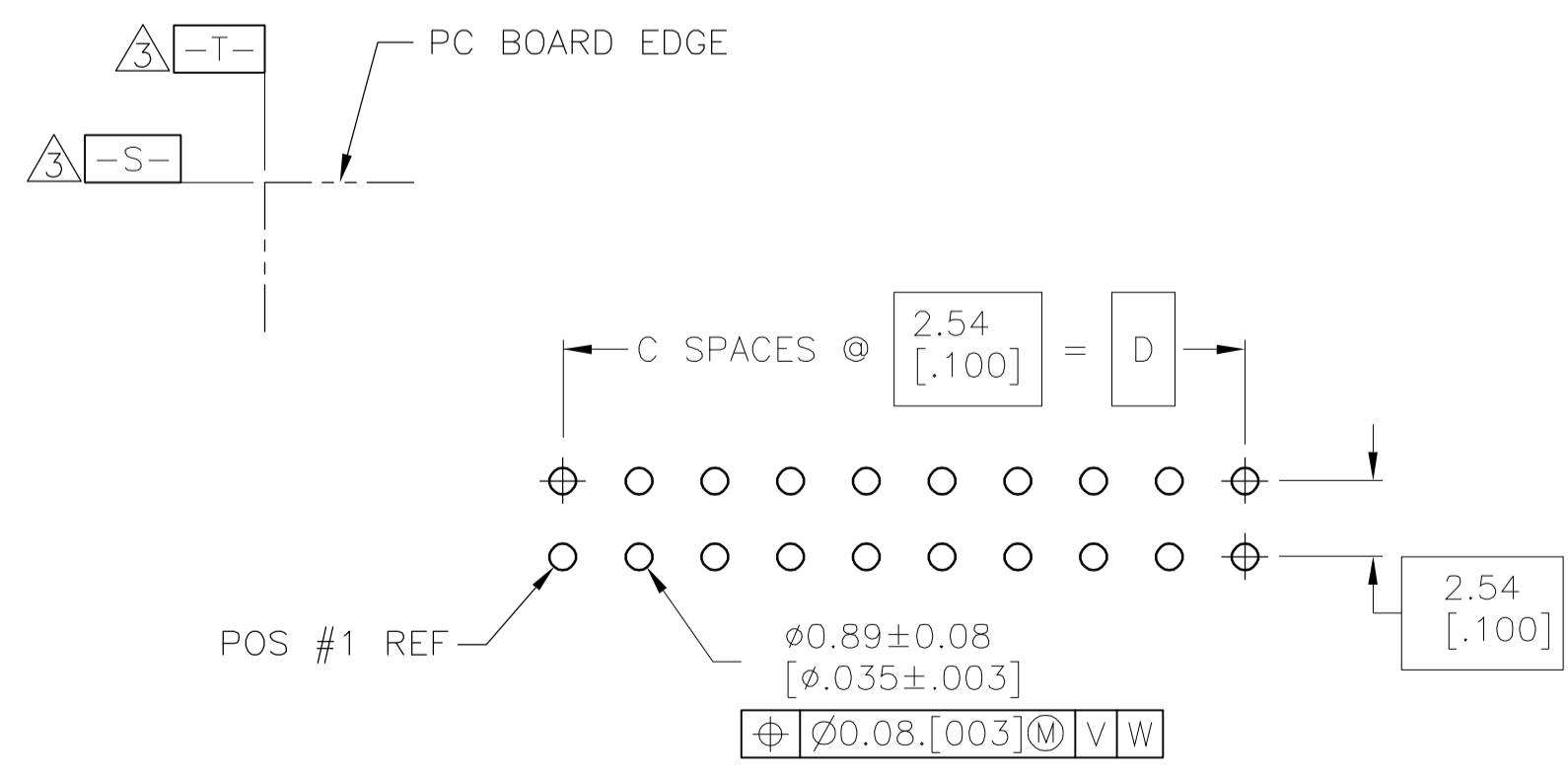
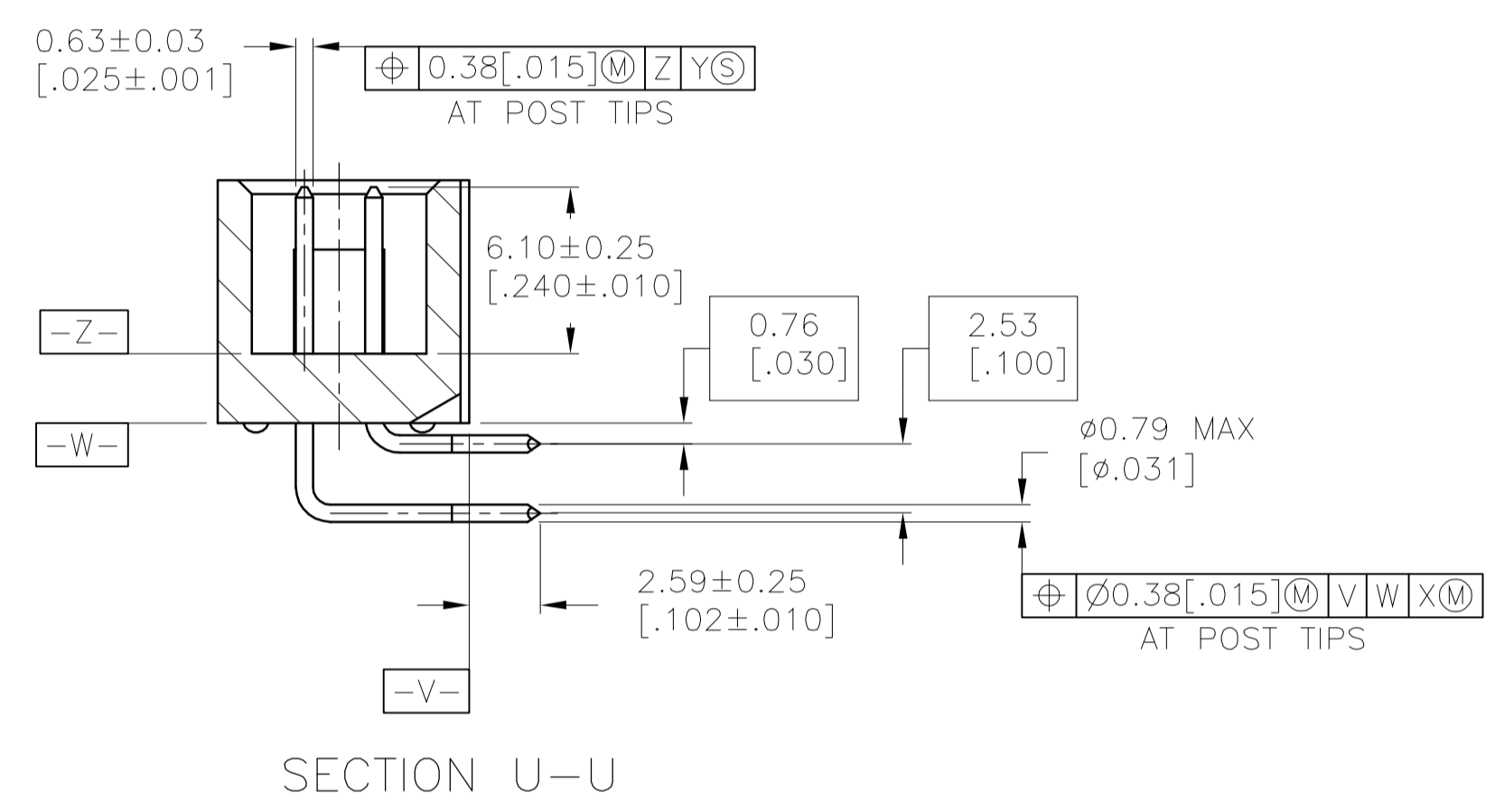
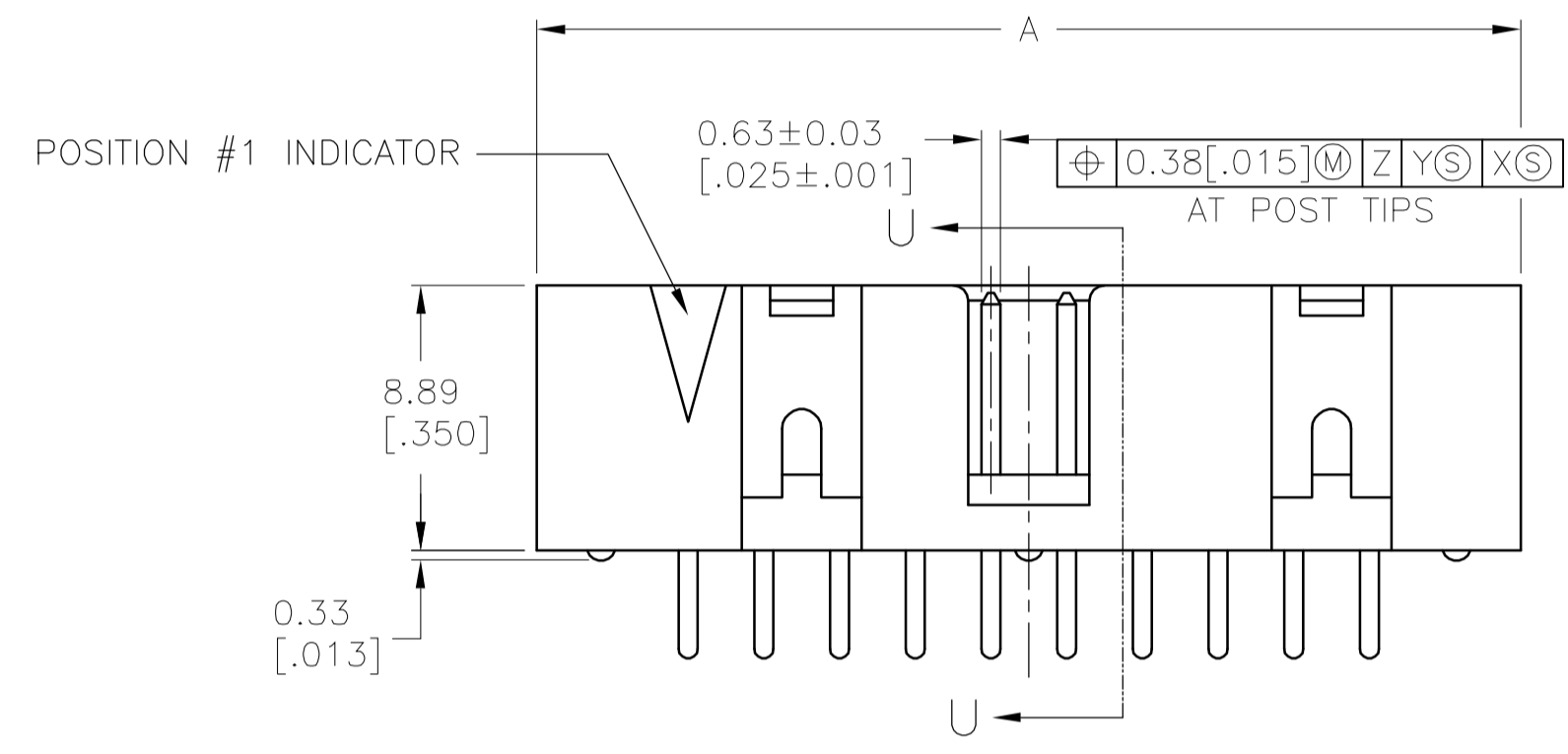


- 1 HOUSING: PBT, UL94V-0, COLOR: BLACK.
POSTS: PHOSPHOR BRONZE.
- 2 POSTS: 0.00038[.000015] MIN GOLD ON MATING AREA, 0.00254[.000100] MIN TIN ON SOLDER END, ALL OVER 0.00127[.000050] MIN NICKEL ON ENTIRE POST.
- 3 DATUMS S & T TO BE ESTABLISHED BY CUSTOMER.
- 4 NO KEYING SLOT ON THIS END FOR 10 & 14 POSITION ASSEMBLIES.
- 5 NO KEYING SLOT ON THIS END FOR 10 POSITION ASSEMBLY.



RECOMMENDED PC BOARD LAYOUT
(VIEWED FROM CONNECTOR SIDE)

| OBsolete | D | C | B | A | NO OF POS | PART NUMBER |
|----------|---------------|----|---------------|---------------|-----------|-------------|
| | 73.66 [2.900] | 29 | 81.28 [3.200] | 83.82 [3.300] | 60 | 1-1761604-6 |
| | 60.96 [2.400] | 24 | 68.58 [2.700] | 71.12 [2.800] | 50 | 1-1761604-5 |
| | 48.26 [1.900] | 19 | 55.88 [2.200] | 58.42 [2.300] | 40 | 1-1761604-3 |
| | 40.64 [1.600] | 16 | 48.26 [1.900] | 50.80 [2.000] | 34 | 1-1761604-1 |
| | 30.48 [1.200] | 12 | 38.10 [1.500] | 40.64 [1.600] | 26 | 1761604-9 |
| | 22.86 [0.900] | 9 | 30.48 [1.200] | 33.02 [1.300] | 20 | 1761604-7 |
| | 17.78 [0.700] | 7 | 25.40 [1.000] | 27.94 [1.100] | 16 | 1761604-6 |
| | 15.24 [0.600] | 6 | 22.86 [0.900] | 25.40 [1.000] | 14 | 1761604-5 |
| | 10.16 [0.400] | 4 | 17.78 [0.700] | 20.32 [0.800] | 10 | 1761604-3 |

THIS DRAWING IS A CONTROLLED DOCUMENT.

| | | | | | | | |
|--|--|--|-----------|-------------------------------|--------------------|-----------|------------|
| DIMENSIONS: MM[INCHES] | TOLERANCES UNLESS OTHERWISE SPECIFIED: | 0 PLC ± - | 1 PLC ± - | 2 PLC ± - | 3 PLC ± 0.13[.005] | 4 PLC ± - | ANGLES ± - |
| DIM: B. CRISAMORE 30JUN05 CHK: S. BOLASH 30JUN05 APD: M. WALMSLEY 30JUN05 NAME: M. WALMSLEY | | Tyco Electronics Corporation Harrisburg, Pa 17105 | | | | | |
| PRODUCT SPEC: - APPLICATION SPEC: - | | SIZE: A1 CAGE CODE: 00779 DRAWING NO: 1761604 | | RESTRICTED TO: - WEIGHT: - | | | |
| MATERIAL: 1 | | FINISH: 2 | | CUSTOMER DRAWING | | | |

SCALE: 4:1 SHEET 1 OF 1 REV A